

Traditional gasshozukuri architecture, Japan

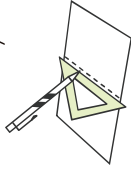


View of completed model

*This model was designed for Papercraft and may differ from the original in some respects.

Assembly Instructions: Three A4 sheets (No.1 to No.3)

*Build the model by carefully reading the Assembly Instructions, in the parts sheet page order.



*Hint: Trace along the folds with a ruler and an exhausted pen (no ink) to get a sharper, easier fold.

Assembly Instructions

Mountain fold(dotted line)

Make a mountain fold.

Valley fold(dashed and dotted line)

Make a valley fold.

Scissors line(solid line)

Cut along the line.

Cut in line(solid line)

Cut along the line.



The glue spot(colored dot) shows where to apply the glue.

Glue spot(Red dot)

Glue parts with the same number together.

Glue spot(Green dot)

Glue within the same part.

Glue spot(Blue dot)

Glue to the rear of the other part.

Tools and materials

Scissors, set square, glue(We recommend stick glue), pencil, used ballpoint pen, toothpicks, tweezers, (useful for handling small parts)

Assembly tip

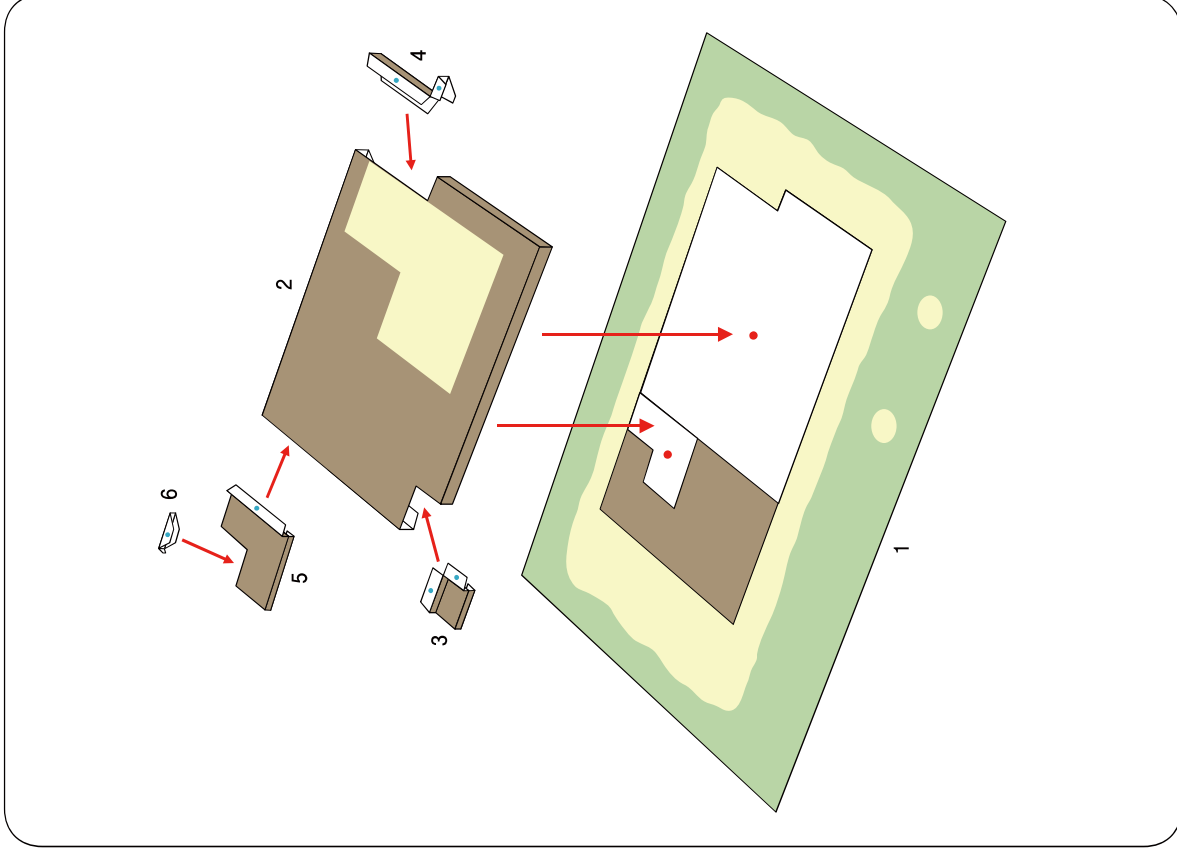
Before gluing, crease the paper along mountain fold and valley fold lines and make sure rounded sections are nice and stiff.

Caution

Glue, scissors and other tools may be dangerous to young children so be sure to keep them out of the reach of young children.

Before starting assembly: Writing the number of each section on its back side before cutting out the sections is highly recommended. (* This way, you can be sure which section is which even after cutting out the sections.)

↑ Indicates where sections should be glued together.
 ↓ Indicates where to insert sections.
 — Do not glue the sections together.
 — Indicates sections that should be glued first, then cut out.

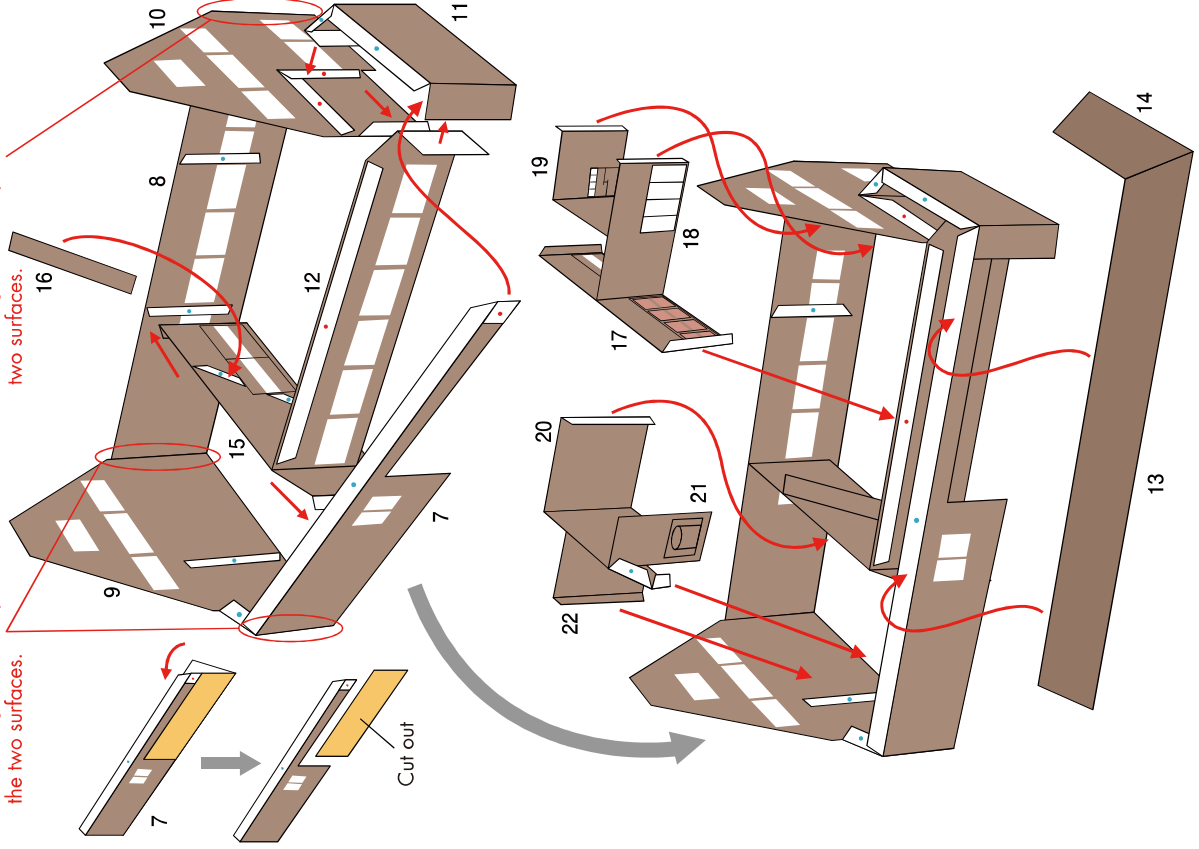


Traditional gasshozukuri architecture, Japan

* Fold the walls in two along the creases and glue the reverse sides together.

Glue the glue tabs of part 9 between the two surfaces.

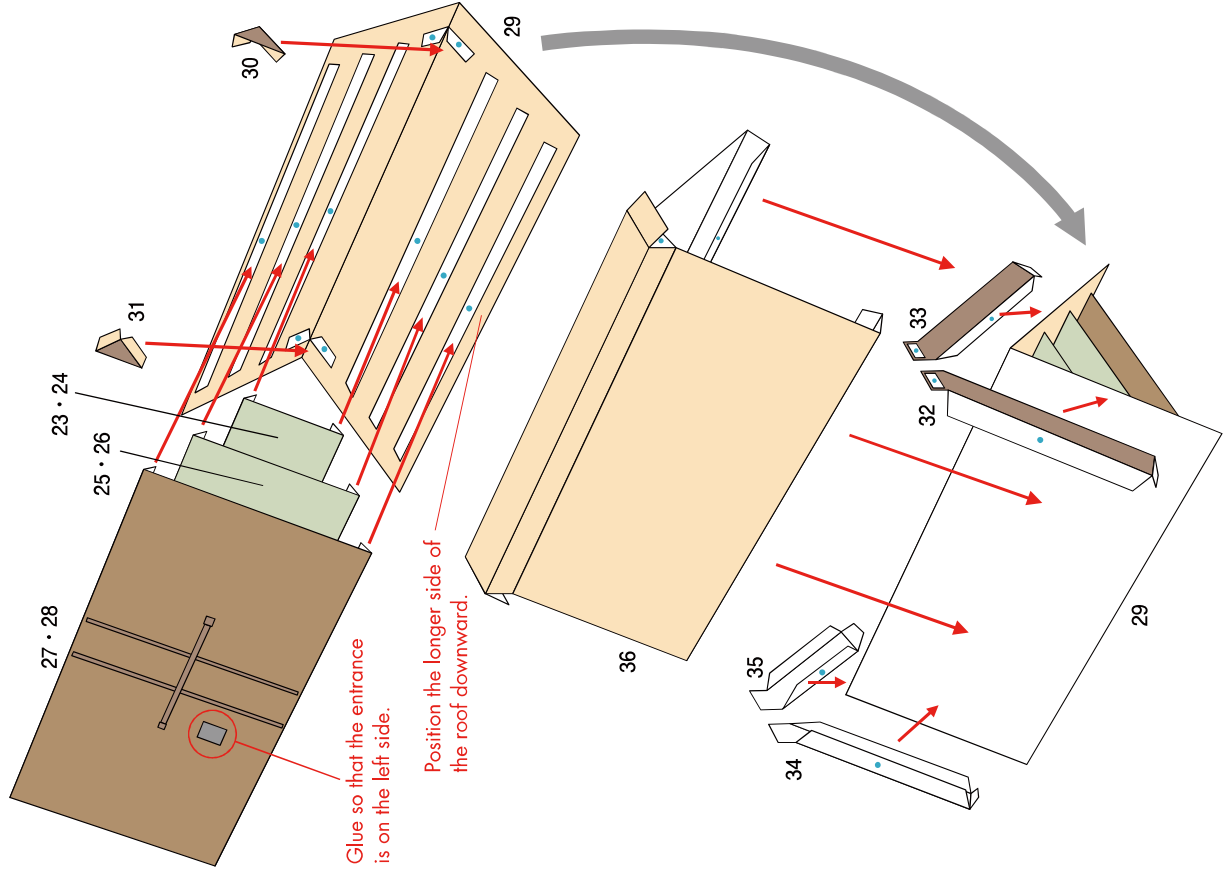
Glue the glue tabs of part 10 between the two surfaces.



* Glue the rear surfaces of parts 23 - 28 (floors of attic rooms) so that their entrances match.

Glue so that the entrance is on the left side.

Position the longer side of the roof downward.



Traditional gasshozukuri architecture, Japan

